

**SPECIFICATIONS**

FUNCTION:  
1P1T OFF-ON

RATINGS:  
ANSI/JUL 1054 and CAN/CSA C22.2 No. 55 (E194579):  
16A 125VAC [UR, cUR]  
10A 250VAC [UR, cUR]  
1/3HP 125/250VAC [UR, cUR]

EN 61058-1:2002:  
10(4)A 250V~ μ 1E4 T125/55 [ENEC14]  
10(2)A 250V~ μ 5E4 T85/55 [ENEC14]

CONTACT RESISTANCE:  
Initial: 35mΩ Max. at 50VAC

INSULATION RESISTANCE:  
100MΩ Min. at 500VDC

DIELECTRIC STRENGTH:  
1,500VAC For 1 Minute

ELECTRICAL LIFE:  
6,000 Cycles [UR, cUR]  
10,000 Cycles [ENEC14: 10(4)A 250V~]  
50,000 Cycles [ENEC14: 10(2)A 250V~]

TEMPERATURE:  
Operating: -20°C to 105°C [UR, cUR]  
Operating: -20°C to 125°C [ENEC14: 10(4)A 250V~]  
Operating: -20°C to 85°C [ENEC14: 10(2)A 250V~]

APPROVALS:  
 RoHS COMPLIANT

**COLORS AND MARKINGS**

BODY:  
Black

ACTUATOR:  
Black

MARKING:  
ON/OFF Vertical

MARKING COLOR:  
White

**MATERIALS**

BODY:  
Polyamide 6/6 (PA66), UL94 V-2

ACTUATOR:  
Polyamide 6/6 (PA66), UL94 V-2

SPRING:  
Steel

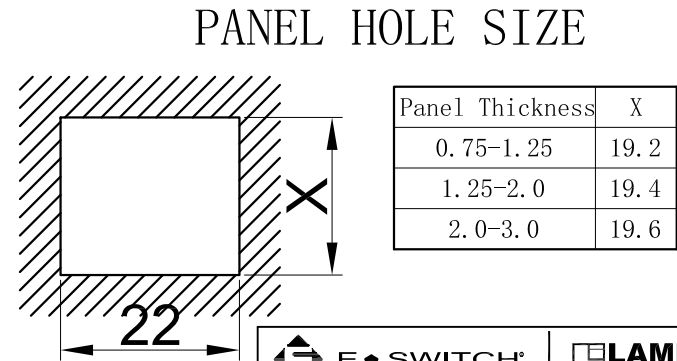
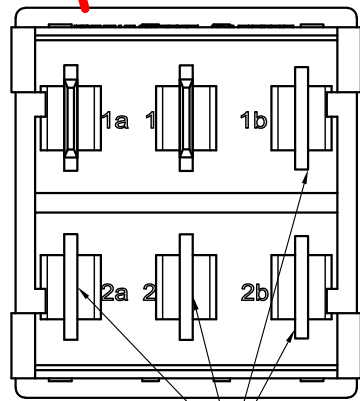
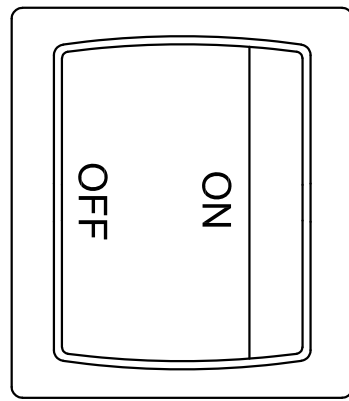
BALL:  
Steel

MOBILE CONTACT:  
Silver Alloy

CONTACTS:  
Silver Alloy

TERMINALS:  
Silver Plated Copper

**OBSOLETE**  
June 2018  
PCR 23427



REV.	DATE	BY
A	09/11/17	CAB
A	09/09/17	CAB
A	09/09/17	CAB

THE INFORMATION CONTAINED IN THIS DOCUMENT IS PROPRIETARY TO E-SWITCH-LAMB INDUSTRIES AND IS NOT TO BE COPIED OR TRANSFERRED

REV.	DESCRIPTION	DATE	DRAWN BY
A	INITIAL RELEASE	4/10/14	ERP
B	LEAVE EXTRA TERMINALS OPEN. (SEE Z111 PART FOR FILLED)	6/11/14	ERP
		21476	
		21430	

**DIMENSIONS**

INCHES [MILLIMETERS]

GENERAL TOLERANCES  
±0.008 [±0.2] / ±1'

SCALE  
DRAWING NOT TO SCALE

PROJECTION

**E-SWITCH** **LAMB INDUSTRIES**

RA411C1123

DRAWING NUMBER: 38-RA411C1123  
DATE: 4/10/14  
REVISION: B